

# CONDROL

USER MANUAL / BEDIENUNGSANLEITUNG /  
РУКОВОДСТВО ПОЛЬЗОВАТЕЛЯ / INSTRUKCJA OBSŁUGI

- EN Cross line laser
- DE Kreuzlinienlaser
- RU Лазерный нивелир
- PL Laser krzyżowy



## XLiner Pento 360/360G

**EN CONTENTS**

|                          |    |
|--------------------------|----|
| SAFETY INSTRUCTIONS      | 4  |
| PRODUCT DESCRIPTION      | 5  |
| DELIVERY PACKAGE         | 7  |
| TECHNICAL SPECIFICATIONS | 8  |
| BEFORE START OPERATION   | 9  |
| OPERATION                | 9  |
| ACCURACY CHECK           | 11 |
| CARE AND MAINTENANCE     | 15 |
| UTILIZATION              | 16 |
| WARRANTY                 | 16 |

**DE INHALT**

|                               |    |
|-------------------------------|----|
| SICHERHEITSHINWEIS            | 18 |
| BESTIMMUNGSGEMAESSER GEBRAUCH | 19 |
| LIEFERUMFANG                  | 21 |
| TECHNISCHE DATEN              | 22 |
| VOR INBETRIEBNAHME            | 23 |
| BETRIEB                       | 23 |
| GENAUIGKEITSUEBERPRUEFUNG     | 25 |
| PFLEGE                        | 29 |
| ENTSORGUNG                    | 29 |
| GARANTIE                      | 30 |
| WARTUNG UND REPARATUR         | 31 |

**RU СОДЕРЖАНИЕ**

|                                  |    |
|----------------------------------|----|
| УКАЗАНИЯ ПО ТЕХНИКЕ БЕЗОПАСНОСТИ | 32 |
| ОПИСАНИЕ ПРИБОРА                 | 33 |
| КОМПЛЕКТАЦИЯ                     | 35 |
| ТЕХНИЧЕСКИЕ ХАРАКТЕРИСТИКИ       | 36 |
| ПЕРЕД НАЧАЛОМ РАБОТЫ С ПРИБОРОМ  | 37 |
| РАБОТА С ПРИБОРОМ                | 37 |
| ПРОВЕРКА ТОЧНОСТИ                | 39 |
| УХОД И ЭКСПЛУАТАЦИЯ              | 43 |
| ГАРАНТИЙНЫЕ ОБЯЗАТЕЛЬСТВА        | 44 |
| СЕРВИС И КОНСУЛЬТАЦИОННЫЕ УСЛУГИ | 44 |
| УТИЛИЗАЦИЯ                       | 45 |

**PL SPIS TREŚCI**

|                                       |    |
|---------------------------------------|----|
| ZALECENIA DOTYCZĄCE BEZPIECZEŃSTWA    | 46 |
| OPIS URZĄDZENIA                       | 47 |
| WYPOSAŻENIE                           | 49 |
| PARAMETRY TECHNICZNE                  | 50 |
| PRZED ROZPOCZĘCIEM PRACY Z NARZĘDZIEM | 51 |
| PRACA Z NARZĘDZIEM                    | 51 |
| KONTROLA DOKŁADNOŚCI                  | 53 |
| KONSERWACJA I EKSPLOATACJA            | 57 |
| UTYLIZACJA                            | 58 |
| GWARANCJA                             | 58 |

Congratulations on your purchase of the laser level XLiner Pento 360/ Pento 360G CONDROL. Safety instructions can be found in the end of this user manual and should be carefully read before you use the device for the first time.

### SAFETY INSTRUCTIONS

**Attention!** This user manual is an essential part of this product.

The user manual should be read carefully before you use the product for the first time. If the product is given to someone for temporary use, be sure to enclose user manual to it.

- Do not misuse the product
- Do not remove warning signs and protect them from abrasion, because they contain information about safe operation of the product.



**LASER RADIATION!**  
Do not stare into beam  
Class 2 laser  
<1 mW, 635/515 nm  
IEC 60825-1: 2007-03

- Do not look into the laser beam or its reflection, with unprotected eye or through an optical device. Do not point the laser beam at people or animals without the need. You can dazzle them.
- To protect your eyes close them or look aside.
- Always install the product in such a way, so that laser line is below or above eye level.
- Do not let unauthorized people enter the zone of product operation.
- Store the product beyond reach of children and unauthorized people.
- Do not disassemble or repair the product yourself. Entrust product repair to qualified personnel and use original spare parts only.
- Do not use the product in explosive environment, close to flammable materials.

- Laser intensive glasses are used for better recognition of the laser beam; do not use them for other purposes. Laser glasses do not protect from laser radiation as well as ultraviolet radiation and reduce color perception.

- Avoid heating the battery to avoid the risk of explosion and electrolyte leakage. In case of liquid contact with skin, wash it immediately with soap and water. In case of contact with eyes, flush with clean water during 10 minutes and consult the doctor.

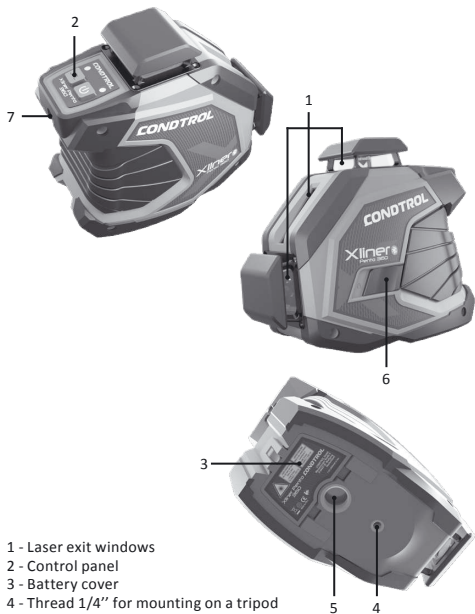
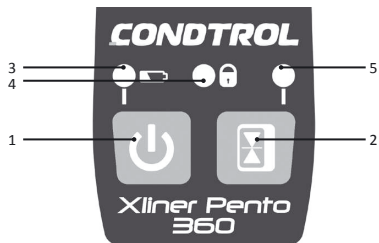
### PRODUCT DESCRIPTION

Cross line lasers XLiner Pento 360/Pento 360G CONDROL are intended to project vertical and horizontal planes and lines as well as the laser dot (zenith and nadir). The laser levels are suitable for use at both indoor and outdoor building areas.

The cross line laser has 2 operating modes:

- Automatic leveling to compensate irregularities within self-leveling range of  $\pm 3.5^\circ$ ;
- Locked compensator, to project inclined planes and lines.

Pulse mode allows using laser receiver to increase the working range of the laser level or to work when laser is hard to define in bright lighting conditions.

**Control panel**

1. Switch on/off:  
- the laser level;  
- the laser planes.
2. Switch on/off pulse mode
3. Power indicator
4. Locked mode indicator
5. Pulse mode indicator

**DELIVERY PACKAGE**

- Laser level – 1 pc.
- Battery (7.4V 2600mAh Li-ion) – 2 pcs.
- Charger – 1 pc.
- User manual – 1 pc.
- Bag – 1 pc.

**TECHNICAL SPECIFICATIONS**

|  | <b>XLiner<br/>Pento 360</b> | <b>XLiner<br/>Pento 360G</b> |
|--|-----------------------------|------------------------------|
| Working range/with receiver                | 40/100 m*                   | 60/100 m*                    |
| Accuracy                                   | ±0,2 mm/m                   |                              |
| Self-leveling range                        | ± 3,5°                      |                              |
| Continuous operating time                  | >18 hours                   | >8 hours                     |
| Operating temperature                      | -10°C ... +50°C             |                              |
| Storage temperature                        | -20°C ... +70°C             |                              |
| Relative humidity                          | 90%                         |                              |
| Dust and water protection rate             | IP54                        |                              |
| Thread for mounting on a tripod            | 1/4" and 5/8"               |                              |
| Laser                                      | Class II 635 nm<br>< 1 mW   | Class II 515 nm<br>< 1 mW    |
| Power supply                               | 7.4V 2600 mAh Li-ion        |                              |
| Dimensions                                 | 155x85x132 mm               |                              |
| Weight:<br>without battery<br>with battery | 0,63 kg<br>0,73 kg          |                              |

\* The operating range may differ from the declared depending on the lighting conditions.

**BEFORE START OPERATION****Power supply**

The laser level is powered via a 7.4V 2600mAh Li-ion battery included in the delivery package.

**Install/charge the Li-ion battery**

Install the battery in the battery compartment, observing the polarity. Use the battery included in the delivery package only.

If the power indicator on the control panel starts flashing red, the battery must be charged.

The charging procedure is as follows:

- 1) Remove the battery from the laser level.
- 2) Connect the battery to the power source by a charging cable, included in the delivery package. The power indicator on control panel will be red while charging.
- 3) The battery charging time is about 3 hours.
- 4) Once the power indicator on control panel turns green, disconnect the charger and install the battery in the battery compartment.

**OPERATION**


Place the laser level on a firm and stable surface or a tripod.

Move switch bar to select required operating mode:

**1) Automatic leveling:**

Move the switch bar to position **ON**.

The laser level will switch on.


Short press  to switch on required lines. If the laser level is out of the range of automatic compensation laser lines will flash 1 time per second.


Short press  to switch on/off the pulse mode.

To switch off the laser level move the switch bar to position **OFF**.


## 2) Projection of inclined planes


The switch bar is in position OFF.

Press and hold  during 2 seconds to switch on the laser.

Long press  during 2 seconds to switch on required laser lines. Switched on laser lines will flash each 5 seconds.

After all possible combinations of lines are switched on, the next long

press  will switch off the laser level.

Long press  during 2 seconds to switch on/off the pulse mode.

**Attention!** To increase operating time and avoid the risk of unintentional blindness switch the laser on only when you are ready to work.

If operated near objects or air streams with the temperature different from the environment the laser line may tremble due to heterogeneity of the atmosphere. The longer the distance, the more trembling of the laser line can be observed.

The width of the laser line increases as soon as operating distance increases as well. The layout should be made along the axis of the laser line. For maximum accuracy, use the middle portion of the laser line. It should be noted that the shape of the laser line on the object's surface (e.g., walls, ceilings, etc.) depends on the curvature and tilt of the surface relative to the laser line.

## Bluetooth

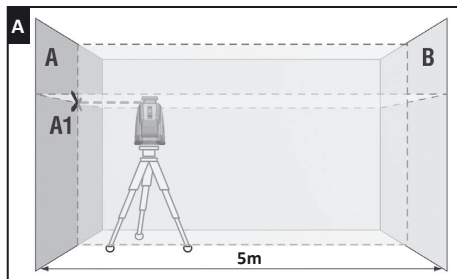
Bluetooth is always on by default. Switch on the laser level. Activate Bluetooth at your portable device and start the app "XLiner Remote". Perform connection via Bluetooth. The app allows switching on and off the laser lines and dots, receiver mode, as well as adjust the brightness of the laser for optimal visibility and energy saving and control the battery charge level without touching the laser level.

## ACCURACY CHECK

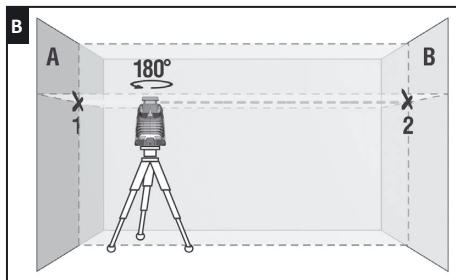
### Check of horizontal line

Use 2 parallel vertical walls which are located opposite each other at a distance of 5 m.

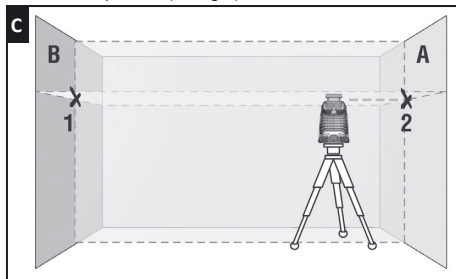
1. Set the instrument close to the wall A (see Fig. A). Switch on the vertical and horizontal laser emitters, unlock the compensator. Turn the instrument in such a way so that the laser lines intersecting each other are projected on the near wall A opposite the instrument. Mark the point where laser lines intersect each other as A1.



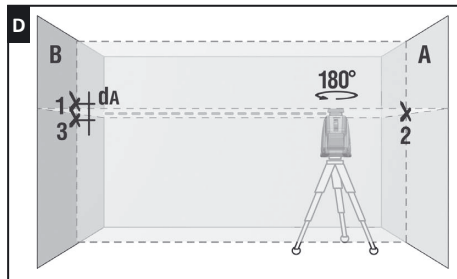
2. Turn the instrument by 180°, mark the point where laser lines intersect each other on the opposite wall as B2. (see Fig. B).



3. Move the instrument to the opposite wall B and set it in such a way so that the point where laser lines intersect each other would be on the same level with point B2. (see Fig. C).



4. Turn the instrument by 180°, direct the instrument to the wall A in such a way so that the vertical line would coincide with point A1. Mark the point of intersecting laser line on the wall A as A3. (see. Fig. D).

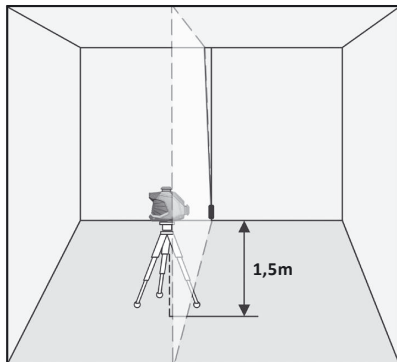


5. Measure distance  $d$  between points A1 and A3 (see. Fig. D). If this distance exceeds 2 mm, please contact service center.

**Check of vertical line**

Use a plumb bob as a reference of a vertical line. Place the instrument at distance of 1,5m from the plumb bob.

1. Unlock the compensator, switch on the vertical laser line and align it with the low point of plumb bob.
2. If deviation between the laser line and the plumb bob line exceeds  $\pm 0.2$  mm per 1m of the plumb bob length (for a 2.5m plumb bob deviation shouldn't exceed 0.5 mm) please contact service center.
3. Turn the instrument by 180° and align the vertical laser line with the low point of plumb bob once again.

**CARE AND MAINTENANCE**

**Attention!** The laser level is an accurate optical mechanic device and requires careful handling. Check the accuracy before using.

**Maintenance of the following recommendations will extend the life of the device:**

- Keep the laser level, spare parts and accessories out of the reach of children and unauthorized people.
- Transport the laser level with locked compensator only.
- Protect the device from shock, falls, and strong vibrations; do not allow moisture, construction dust, and foreign objects to get inside the laser level.
- In case moisture gets inside the laser level, first of all, remove the battery, and then contact the service center.
- Do not store or use the laser level for a long time in high humidity conditions.
- Arrange the accuracy check of the laser level occasionally (see the paragraph «Accuracy check»).
- Clean the laser level with a soft damp cloth. Do not use harsh chemicals, cleaning solvents or detergents.
- Wipe the laser aperture with a soft, lint-free cloth with isopropyl alcohol.

**Failure to comply with the following rules may result in leakage of the electrolyte from the batteries and damage the laser level:**

- Remove the battery from the laser level if it is not used for a long time.
- Do not leave discharged battery in the device.
- Do not heat the battery.



**UTILIZATION**

Expired tools, accessories and package should be passed for waste recycle. Please send the product to the following address for proper recycle:

CONDTRÖL GmbH  
Wasserburger Strasse 9  
84427 Sankt Wolfgang  
Germany



Do not throw the product in municipal waste!

According to European directive 2002/96/EC expired measuring tools and their components must be collected separately and submitted to environmentally friendly recycle of wastes.

**WARRANTY**

All CONDTRÖL GmbH products go through post-production control and are governed by the following warranty terms. The buyer's right to claim about defects and general provisions of the current legislation do not expire.

- 1) CONDTRÖL GmbH agrees to eliminate all defects in the product, discovered while warranty period, that represent the defect in material or workmanship in full volume and at its own expense.
- 2) The warranty period is 24 months and starts from the date of purchase by end consumer (see the original supporting document).
- 3) The Warranty doesn't cover defects resulting from wear and tear or improper use, malfunction of the product caused by failure to observe the instructions of this user manual, untimely maintenance and service and insufficient care, the use of non-original accessories and spare parts. Modifications in design of the product relieve the seller from responsibility for warranty works. The warranty does not cover cosmetic damage, that doesn't hinder normal operation of the product.
- 4) CONDTRÖL GmbH reserves the right to decide on replacement or repair of the device.

5) Other claims not mentioned above, are not covered by the warranty.  
6) After holding warranty works by CONDTRÖL GmbH warranty period is not renewed or extended.

7) CONDTRÖL GmbH is not liable for loss of profit or inconvenience associated with a defect of the device, rental cost of alternative equipment for the period of repair.

This warranty applies to German law except provision of the United Nations Convention on contracts for the international sale of goods (CISG).

In warranty case please return the product to retail seller or send it with description of defect to the following address:

CONDTRÖL GmbH  
Wasserburger Strasse 9  
84427 Sankt Wolfgang  
Germany

**SICHERHEITSHINWEISE**

Bitte lesen und befolgen Sie fuer die sichere Verwendung Ihres Gerats alle Anweisungen. Warnschilder muessen stets sichtbar und erkennbar sein. Bewahren Sie diese Bedienungsanleitung auf und werfen Sie sie nicht weg. Bei nicht fachgerechter Anwendung koennen Sie Laserstrahlung ausgesetzt sein.

Sie erhalten Ihr Gerat mit einem Warnschild in Englisch. Bitte beachten Sie das hier abgebildete Warnschild in Deutsch.

**LASERSTRAHLUNG!**

Nicht in den Strahl blicken

Laserklasse 2

&lt;1 mW, 635/515 nm

IEC 60825-1: 2007-03

Richten Sie den Laserstrahl niemals auf Personen oder Tiere. Blicken Sie nicht in den Laserstrahl, auch nicht mit optischen Instrumenten. Sie gefaehrden Ihr Augenlicht. Ihr Gerat erzeugt Laserstrahlung der Klasse 2 gemass EN60825-1. Die Laserbrille dient nicht als Schutzbrille, sondern zur besseren Sichtbarkeit des Laserstrahls. Sie bietet keinen Schutz vor Laserstrahlung. Die Laserbrille kann nicht als Sonnenbrille verwendet werden. Der Einsatz im Strassenverkehr ist verboten. Die Laserbrille schuetzt nicht vor UV-Licht und verringert die Wahrnehmung von Farbunterschieden. Reparatur und Wartung duerfen nur durch Fachpersonal mit Qualifikation erfolgen, das originale Ersatzkomponenten einsetzt. Kinder duerfen aus Sicherheitsgruenden das Gerat nur unter Aufsicht benutzen. Verwenden Sie das Gerat nicht in der Naehе von brennbaren Stoffen, da im Gerat Funken entstehen koennen. Die Halterung des Gerats beinhaltet Magnete. Verwenden Sie sie daher nicht in der Naehе von Herzschrittmachern, da deren Funktion durch Magnetfelder gestoert werden kann. Vermeiden Sie ebenso die Naehе zu magnetischen Datentraegern oder Geraten, die auf Magnetfelder reagieren. Die Folge koennen Datenloeschungen oder –zerstoerung sein.

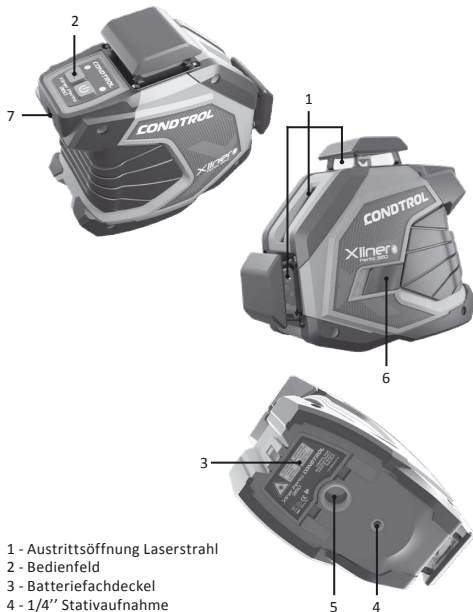
**BESTIMMUNGSGEMAESSEER GEBRAUCH**

Der Multiline –Kreuzlinienlaser XLiner Pento 360/Pento 360G sollen vertikale und horizontale Ebenen und Linien sowie den Laserpunkt (zenith und nadir) projizieren. Er ist fuer den Innen- und Außenbereich geeignet.

Das Gerat hat zwei Betriebsarten:

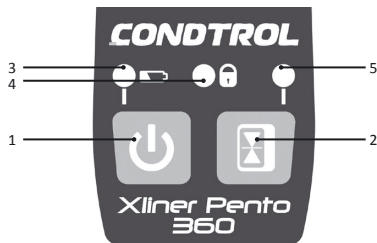
- Mit Nivellierautomatik der Gehaeuseneigung bis zu  $\pm 3,5^\circ$  zum Erzeugen waagerechter und senkrechter Laser- Linien und –Ebenen.
- Zum Erzeugen von Laser- Linien und –Ebene mit jeglichen Neigungen.

Der Pulsiermodus ist dazu bestimmt, die Reichweite mit dem Handempaenger zu erweitern oder die Laserstrahlen des Linienlasers bei unguenstigen Umgebungsbedingungen zu lokalisieren.



- 1 - Austrittsöffnung Laserstrahl
- 2 - Bedienfeld
- 3 - Batteriefachdeckel
- 4 - 1/4" Stativaufnahme
- 5 - 5/8" Stativaufnahme
- 6 - Pendelsperre
- 7 - Befestigungsmöglichkeit fuer Nagel oder Schraube

## Bedienfeld



- 1. Ein-/Ausschalter für:
  - Kreuzlinienlaser;
  - Laserstrahlen.
- 2. Taste zum Ein-/Abschalten des Empfängerbetriebs
- 3. Batteriezustandsanzeige
- 4. Pendelsperre – Anzeige
- 5. Pulsmodus - Anzeige

**LIEFERUMFANG**

- Kreuzlinienlaser – 1 St.
- Akku (7.4V 2600mAh Li-ion) – 2 St.
- Ladegerät – 1 St.
- Bedienungsanleitung – 1 St.
- Schutztasche – 1 St.

## TECHNISCHE DATEN

|                                      | XLiner<br>Pento 360        | XLiner<br>Pento 360G       |
|--------------------------------------|----------------------------|----------------------------|
| Reichweite<br>(ohne /mit Empfaenger) | 40/100 m*                  | 60/100 m*                  |
| Genauigkeit                          | ±0,2 mm/m                  |                            |
| Selbstnivellierung                   | ± 3,5°                     |                            |
| Betriebstemperatur                   | -10°C ... +50°C            |                            |
| Lagertemperatur                      | -20°C ... +70°C            |                            |
| Relative Luftfeuchtigkeit            | 90%                        |                            |
| IP-Schutz                            | IP54                       |                            |
| Stativgewinde                        | 1/4" und 5/8"              |                            |
| Lasertyp                             | Klasse II<br>635 nm < 1 mW | Klasse II<br>515 nm < 1 mW |
| Stromversorgung                      | 7.4V 2600 mAh Li-ion       |                            |
| Abmessungen                          | 155x85x132 mm              |                            |
| Gewicht:<br>ohne Batterie            | 0,63 kg                    |                            |
| mit Batterie                         | 0,73 kg                    |                            |

\* Die Reichweite kann je nach den Lichtverhältnissen vom angegebenen abweichen.

## VOR INBETRIEBNAHME

## Stromversorgung

Der Laser wird über einen im Lieferumfang enthaltenen 7,4 V-Li-Ionen-Akku mit 2600 mAh mit Strom versorgt.

**Setzen Sie den Li-Ion-Akku ein / laden Sie ihn auf**

Installieren Sie die Batterie im Batteriefach unter Beachtung der Polarität.

Verwenden Sie nur die im Lieferumfang enthaltene Batterie.

Wenn die Betriebsanzeige auf dem Bedienfeld rot blinkt, muss die Batterie geladen werden.

Das Ladeverfahren ist wie folgt:

- 1) Entfernen Sie die Batterie von der laser-Ebene.
- 2) Schließen Sie die Batterie an die Stromquelle durch ein Ladekabel, im Lieferumfang enthalten. Die Betriebsanzeige auf dem Bedienfeld wird während des Ladevorgangs rot sein.
- 3) die batterie-ladezeit beträgt etwa 3 Stunden.
- 4) Sobald die Betriebsanzeige auf dem Bedienfeld grün wird, trennen Sie das Ladegerät und installieren Sie die Batterie im Batteriefach.

## BETRIEB


Stellen Sie das Messwerkzeug auf ein Stativ oder eine stabile Oberfläche.

Drehen Sie die Pendelsperre und schalten Sie den benötigten Modus ein. Folgende Betriebsarten stehen zur Auswahl:

**1) Mit Nivellierautomatik:**

Schieben Sie den Schalter in die EIN-Position.


Der Laser wird eingeschaltet.


Kurz drücken , um die gewünschten Leitungen einzuschalten.


Kurz drücken , um den Pulsmodus ein- oder auszuschalten.


**2) Gesperrter Modus**

Schieben Sie den Schalter in die AUS-Position.

Halten Sie  während 2 Sekunden gedrückt, um den Laser einzuschalten.

Lange drücken Sie  während 2 Sekunden, um erforderliche Laserlinien einzuschalten. Eingeschaltete Laserlinien blinken alle 5 Sekunden.

Nachdem alle möglichen Kombinationen von Linien eingeschaltet sind, schaltet der nächste lange Druck  den Laserpegel ab.

Lange drücken Sie  während 2 Sekunden, um den Impulsmodus einzuschalten.

**Achtung!** Um die Betriebszeit zu erhöhen und das Risiko unbeabsichtigter Blindheit zu vermeiden, schalten Sie den Laser nur ein, wenn Sie bereit sind zu arbeiten.

Wenn Sie in der Nähe von Objekten oder Luftströmen mit der von der Umgebung abweichenden Temperatur betrieben werden, kann die Laserlinie aufgrund der Heterogenität der Atmosphäre zittern. Je länger der Abstand, desto mehr zittern der Laserlinie kann beobachtet werden.

Die Breite der Laserlinie erhöht sich, sobald auch der Betriebsabstand zunimmt. Das Layout sollte entlang der Achse der Laserlinie erfolgen. Verwenden Sie für maximale Genauigkeit den mittleren Teil der Laserlinie.

Es sollte beachtet werden, dass die Form der Laserlinie auf der Oberfläche des Objekts (z. B. Wände, Decken usw.) hängt von der Krümmung und Neigung der Oberfläche relativ zur Laserlinie ab.

**Bluetooth**

Standardmäßig ist Bluetooth immer aktiviert.

Schalten Sie den Kreuzlinienlaser ein. Aktivieren Sie Bluetooth auf Ihrem Gerät und starten Sie die App „XLiner Remote“.

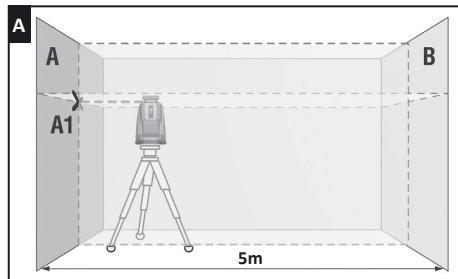
Herstellen Sie eine Verbindung über Bluetooth.

Die App ermöglicht es, die Laserlinien, Laserpunkte und den Empfängermodus ein- und auszuschalten, die Helligkeit von Laserlinien an optimale Sichtbarkeit und Energieverbrauch anzupassen, sowie den Batteriezustand zu prüfen, ohne den Kreuzlinienlaser zu nutzen.

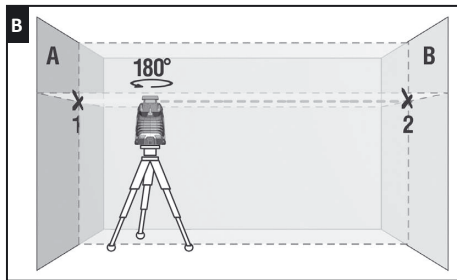
**GENAUIGKEITSUEBERPRUEFUNG****Ueberpruefung der Horizontallinie**

Platzieren Sie das Gerat zwischen zwei Waenden, die mindestens 5m voneinander entfernt sind.

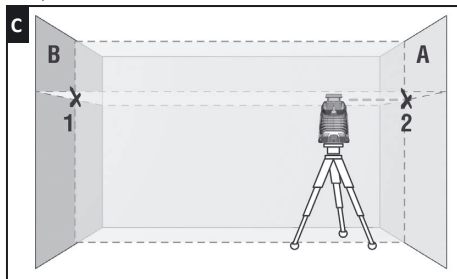
1. Platzieren Sie das Instrument in der Naehе der Wand A (Siehe Abb.A). Aktivieren Sie die horizontale und vertikale Linie bei geloester Pendelsperre. Richten Sie das Instrument so, dass die Laserlinien sich an der naeheren Wand A ueberschneiden. Markieren Sie den Punkt, in dem sich die Linien schneiden (Punkt A1).



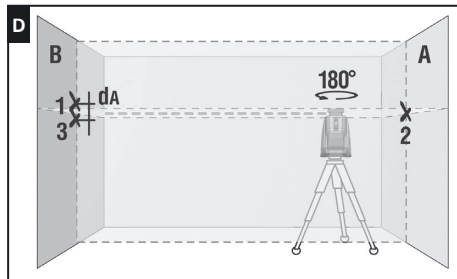
2. Drehen Sie das Gerat um 180° und markieren Sie den Kreuz an der Wand mit dem Punkt B2. (Siehe Abb. B).



3. Stellen Sie das Gerat an die Wand B und richten Sie den Laser so, dass das Laserkreuz auf der gleichen Ebene mit dem Punkt B2 ist. (Siehe Abb. C).



4. Drehen Sie das Gerat um 180° und markieren Sie den Kreuz an der Wand A mit dem Punkt A3. (die Vertikallinie soll exakt durch den markierten Punkt A1 laufen) (Siehe Abb. D).

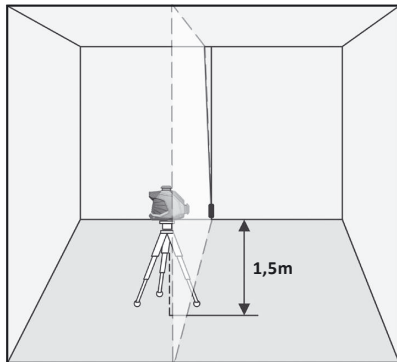


5. Messen Sie den Abstand  $d$  zwischen den Punkten A1 und A3 (Siehe Abb.D). Ist der Abstand mehr als 2 mm, kontaktieren Sie bitte ein autorisiertes Servicezentrum.

**Ueberpruefung der Vertikallinie**

Befestigen Sie ein Senklot an einer Schnur und positionieren Sie das Geraet ca. 1,5 m von dem Senklot entfernt.

1. Schieben Sie den Schalter in die EIN-Position, aktivieren Sie die Vertikallinie und richten Sie die Vertikallinie auf die Schnur aus.
2. Ist die Abweichung zwischen Linie und Schnur nicht groesser als  $\pm 0,2$  mm auf einen Meter der Lotschnur, ist das Geraet innerhalb der Toleranz. Ist die Lotschnur z.B. 2,5 m lang, darf die Abweichung 0, 5 mm nicht uebersteigen. Sollte eine Kalibrierung notwendig sein, kontaktieren Sie bitte ein autorisiertes Servicezentrum.
3. Drehen Sie das Geraet um  $180^\circ$  und richten Sie die Vertikallinie auf die Schnur aus.

**PFLEGE**

**Achtung!** CONDROL XLiner Pento 360/360G ist ein präzises optisch-mechanisches Gerät und soll stets vorsichtig behandelt werden. Prüfen Sie den Zustand des Gerätes, bevor Sie es verwenden. Überprüfen Sie die Genauigkeit des Gerätes, nachdem es fallen gelassen wurde oder anderen mechanischen Belastungen ausgesetzt war.

Schalten Sie das Geraet nach der Verwendung wieder ab, da andere Personen oder Tiere von den Laserstrahlen geblendet werden koennen.

- Behandeln Sie das Geraet mit Sorgfalt, so wie Sie eine Kamera, ein Fernglas oder ein anderes optisches Geraet verwenden.
- Vermeiden Sie Stoesse, staendige Vibrationen und extreme Temperaturen.
- Verwenden Sie die Batterie entsprechend den Sicherheitsvorschriften.
- Tauchen Sie das Geraet nicht unter Wasser.
- Wischen Sie Schmutz mit einem feuchten, weichen Tuch ab.
- Verwenden Sie keine aggressiven Reinigungs- oder Loesungsmittel.
- Behandeln Sie das Geraet wie ein Teleskop oder eine Kamera.

**ENTSORGUNG**

Geraete, Zubehoer und die Verpackung sollen recycelt werden (Wiederverwertung). Zum Recycling schicken Sie das Geraet bitte an:

CONDROL GmbH  
Wasserburger Strasse 9  
84427 Sankt Wolfgang  
Deutschland



Werfen Sie das Geraet nicht in den Restmuell. Gemaess der Europaeischen Richtlinie 2002/96/EG ueber Altgeraete mit Elektronik und ihrer Umsetzung in nationales Recht sind Sie verpflichtet, nicht mehr gebrauchsfaeihige Messwerkzeuge getrennt zu sammeln und zu einer Recyclingstelle zu bringen.

**GARANTIE**

Alle Geraete der Condrol GmbH werden vor dem Verlassen der Produktion gepueft und unterliegen den folgenden Garantiebestimmungen. Maengelhaftungsansprueche des Kaeufers und gesetzliche Rechte bleiben davon unberuehrt.

1) Die Condrol GmbH verpflichtet sich zur kostenlosen Behebung der Maengel am Geraet, falls diese nachweislich innerhalb der Garantiezeit auf einen Material- oder Produktionsfehler zurueckzufuehren sind.

2) Die Garantiezeit betraegt 24 Monate bei gewerblichen Produkten und beginnt am Datum des Kaufs an den ersten Endabnehmer (siehe Originalbeleg). Die Betriebsdauer Ihres Geraetes betraegt 36 Monate.

3) Die Garantie trifft nicht fuer Teile zu, deren Fehlfunktion auf Gebrauch oder Verschleiss zurueckzufuehren ist. Fuer Maengel am Geraet, die durch Nichtbeachten der Bedienungsanleitung, nicht bestimmungsgemaessen Gebrauch, unzureichenden Service und Pflege, Verwendung von Nicht- Condrol GmbH-Zubehoer oder Ersatzteilen entstehen, gilt die Garantie nicht. Durch Veraenderungen oder Zusatze am Geraet erlischt die Garantie. Fuer Maengel, die den normalen Gebrauch des Geraets nicht beeintraehtigen, gilt die Garantie nicht.

4) Die Condrol GmbH behaelt sich das Recht vor, nach eigener Entscheidung das Geraet zu reparieren oder zu ersetzen.

5) Andere Ansprueche als die oben genannten werden nicht ueber die Garantie abgedeckt.

6) Nach Garantieleistungen durch die Condrol GmbH wird die Garantiezeit nicht erneuert und auch nicht verlaengert.

7) Die Condrol GmbH uebernimmt keine Verantwortung fuer Gewinnverlust und andere Umstaende, die mit dem defekten Geraet in Verbindung stehen. Die Condrol GmbH uebernimmt keine Kosten fuer Miet- oder Leihgeraete waehrend der Reparatur.

Fuer die Garantie gilt deutsches Recht. Ausgeschlossen ist das CISG (Uebereinkommen der Vereinten Nationen ueber den internationalen Warenkauf). Aenderungen vorbehalten.

**WARTUNG UND REPARATUR**

Falls das Geraet defekt ist, bringen Sie es bitte zu Ihrem Haendler zurueck. Falls Sie das Geraet nicht bei einem Haendler gekauft haben, schicken Sie es mit einer Fehlerbeschreibung bitte an:

Condrol GmbH  
Wasserburger Strasse 9  
84427 Sankt Wolfgang  
Deutschland

Waehrend des Transports und der Aufbewahrung sollte das Geraet in seiner Tasche oder Koffer sein. Saeubern Sie besonders die Austrittsfenster der Laserstrahlen und vermeiden Sie die dort Fusselbildung. Die Saeuberung mit Reinigungs- und Loesungsmittel ist untersagt. Verwenden Sie anstelle ein weiches, feuchtes Tuch. Halten Sie das Geraet nicht unter Wasser oder in andere Fluessigkeiten. Das eigenstaendige Oeffnen des Geraets ist untersagt. Es darf nur von einem autorisierten Servicezentrum geoeffnet werden.



Поздравляем с приобретением лазерного нивелира XLiner Pento 360/360G CONDROL. Перед первым использованием прибора, пожалуйста, внимательно ознакомьтесь с указаниями по технике безопасности, приведенными в конце данного руководства по эксплуатации.

#### УКАЗАНИЯ ПО ТЕХНИКЕ БЕЗОПАСНОСТИ

**Внимание!** Данная инструкция по эксплуатации является неотъемлемой частью Вашего прибора. Прежде чем приступить к работе с прибором, внимательно прочтите инструкцию. При передаче прибора во временное пользование обязательно приложите к нему данную инструкцию.

- Не используйте прибор не по назначению.
- Не удаляйте наклейки и таблички и предохраняйте их от стирания, т.к. они содержат информацию о безопасной эксплуатации прибора.



Лазерное излучение!  
Не направляйте в глаза  
Лазер класса 2  
<1 мВт, 635/515 нм  
IEC 60825-1: 2007-03

- Не смотрите в лазерный луч, а также в его отражение, как незащищенным глазом, так и через оптические устройства. Не направляйте лазерный луч на людей и животных без необходимости. Вы можете их ослепить.
- Защита глаз обычно осуществляется путем отведения взгляда или закрытием век.
- Всегда устанавливайте прибор так, чтобы лазерные лучи проходили на расстоянии выше или ниже уровня глаз.
- Не допускайте посторонних лиц в зону эксплуатации прибора.
- Храните прибор вне досягаемости детей и посторонних лиц.
- Не разбирайте и не ремонтируйте прибор самостоятельно. Обслуживание и ремонт следует поручать только

квалифицированным специалистам и с применением оригинальных запасных частей.

- Запрещается эксплуатация прибора во взрывоопасной среде, вблизи легковоспламеняющихся материалов.
- Очки для работы с лазерным инструментом служат для лучшего распознавания лазерного луча, не используйте их для других целей. Лазерные очки не защищают от лазерного излучения, не предназначены для защиты от ультрафиолетового излучения и ухудшают восприятие цветов.
- Не допускайте нагревания элементов питания во избежание риска взрыва и вытекания электролита. При попадании жидкости на кожу немедленно промойте пораженный участок водой с мылом. В случае попадания в глаза, промойте их чистой водой в течение 10 минут, затем обратитесь к врачу.

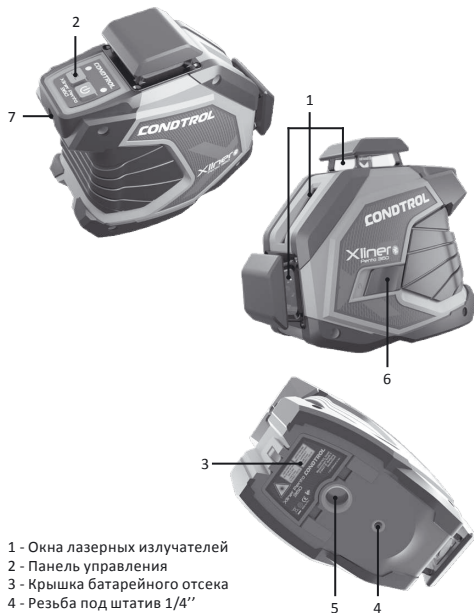
#### ОПИСАНИЕ ПРИБОРА

Мультипризменные лазерные нивелиры XLiner Pento 360/360G CONDROL предназначены для построения и контроля вертикальных и горизонтальных плоскостей и линий, а также точек отвеса (зенит и надир). Прибор пригоден как для эксплуатации в закрытых помещениях, так и на открытых строительных площадках.

Прибор имеет 2 режима работы:

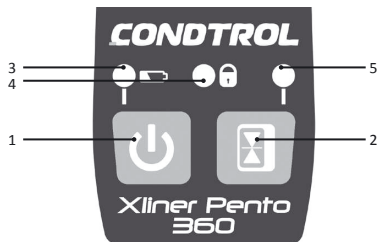
- с автоматической компенсацией наклона корпуса прибора до  $\pm 3.5^\circ$
- с заблокированным компенсатором, для построения плоскостей и линий под произвольными углами

Импульсный режим позволяет использовать детектор для увеличения дальности работы, а также для работы в условиях хорошей освещенности, когда лазерный луч плохо виден.



- 1 - Окна лазерных излучателей
- 2 - Панель управления
- 3 - Крышка батарейного отсека
- 4 - Резьба под штатив 1/4"
- 5 - Резьба под штатив 5/8"
- 6 - Движок блокиратора
- 7 - Петля для крепления на саморез/гвоздь

Панель управления



1. Включение/выключение:

- прибора;
  - лазерных излучателей.
2. Включение/выключение импульсного режима
3. Индикатор питания
4. Индикатор блокировки компенсатора
5. Индикатор импульсного режима

**КОМПЛЕКТАЦИЯ**

- Лазерный нивелир – 1 шт.
- Аккумулятор (7.4В 2600мАч литий-ионный) – 2 шт.
- Зарядное устройство – 1 шт.
- Руководство пользователя – 1 шт.
- Сумка – 1 шт.

**ТЕХНИЧЕСКИЕ ХАРАКТЕРИСТИКИ**

|   | XLiner<br>Pento 360        | XLiner<br>Pento 360G       |
|---|----------------------------|----------------------------|
| Рабочий диапазон/<br>с детектором           | 40/100 м*                  | 60/100 м*                  |
| Точность самовыравнивания                   | ±0,2 мм/м                  |                            |
| Диапазон самовыравнивания                   | ± 3,5°                     |                            |
| Продолжительность работы                    | >18 часов                  | >8 часов                   |
| Рабочая температура                         | -10°C ... +50°C            |                            |
| Температура хранения                        | -20°C ... +70°C            |                            |
| Относительная влажность<br>воздуха          | 90%                        |                            |
| Степень защиты от влаги и пыли              | IP54                       |                            |
| Тип резьбы для установки на<br>штатив       | 1/4" и 5/8"                |                            |
| Тип лазера                                  | Класс II<br>635 нм < 1 мВт | Класс II<br>515 нм < 1 мВт |
| Источник питания                            | 7.4В 2600 мАч литий-ионный |                            |
| Габаритные размеры                          | 155x85x132 мм              |                            |
| Вес:<br>без аккумулятора<br>с аккумулятором | 0,63 кг<br>0,73 кг         |                            |

\*Рабочий диапазон может отличаться от заявленного в зависимости от условий освещения.

**ПЕРЕД НАЧАЛОМ РАБОТЫ С ПРИБОРОМ**

**Питание прибора**

Питание прибора осуществляется через литий-ионный аккумулятор 7.4 В 2600 мАч, входящий в комплект поставки.

**Установка/зарядка литий-ионного аккумулятора**

Установите аккумулятор в батарейный отсек, соблюдая полярность.

Используйте только аккумулятор, входящие в комплект поставки. Если индикатор питания на панели управления мигает красным, необходимо зарядить аккумулятор.

Зарядка аккумулятора производится следующим образом:



- 1) Удалите аккумулятор из прибора.
- 2) Подключите аккумулятор к сети питания с помощью зарядного устройства, входящего в комплект поставки. Во время зарядки индикатор питания на панели управления прибора будет красным.
- 3) Время зарядки аккумулятора составляет около 3 часов.
- 4) Как только индикатор питания на панели управления станет зеленым, отключите зарядное устройство и установите аккумулятор в батарейный отсек.

**РАБОТА С ПРИБОРОМ**

Установите прибор на твердую устойчивую поверхность или штатив. Движком блокиратора выберите режим работы прибора:

**1) Режим автоматической компенсации**


Переместите движок блокиратора в положение **ON**. Прибор включится автоматически.


Короткими нажатиями клавиши  включите необходимые для работы лазерные излучатели. Коротким нажатием клавиши  включите/выключите режим работы с приемником.

Для выключения прибора переместите движок блокиратора в положение **OFF**.


**2) Режим построения наклонных плоскостей**

Переместите движок блокиратора в положение OFF.

Включите прибор длительным нажатием клавиши  в течение 2 секунд.

Длительными последовательными нажатиями клавиши  в течение 2 секунд включите необходимые для работы лазерные излучатели. Включенные лазерные излучатели будут мигать каждые 5 секунд.

После включения всех возможных комбинаций лазерных линий длительное нажатие клавиши  выключит прибор.

Включите/выключите режим работы с приемником длительным нажатием клавиши  в течение 2 секунд.

**Внимание!** Для увеличения времени работы, а также для уменьшения риска непреднамеренного ослепления следует выбирать минимально необходимое количество включенных лазерных модулей.

При работе вблизи объектов или воздушных потоков отличающихся по температуре от окружающей среды из-за неоднородности атмосферы возможно дрожание лазерной линии. При увеличении расстояния эффект усиливается.

С увеличением расстояния ширина лазерной линии увеличивается. Разметку следует производить по оси лазерной линии. Для получения максимальной точности используйте средний участок лазерной линии.

Следует учитывать, что форма лазерных линий на поверхности объекта (например, на стенах, перекрытиях и пр.) зависит от кривизны и наклона поверхности по отношению к лазерной плоскости.

**Bluetooth**

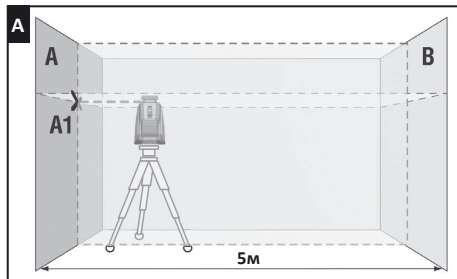
Bluetooth по умолчанию всегда включен. Включите прибор. Активируйте Bluetooth на вашем устройстве и запустите приложение XLiner Remote. Установите подключение по Bluetooth.

Приложение позволяет, не прикасаясь к прибору, включать и выключать лазерные лучи и точки отвеса, режим работы с приемником, регулировать яркость лазера для оптимальной видимости и экономии энергии, а также контролировать уровень заряда элементов питания.

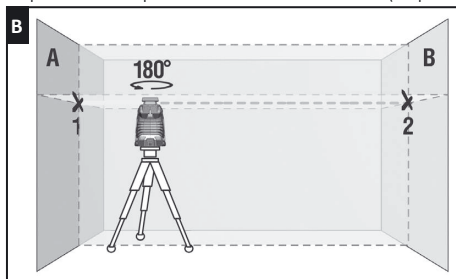
**ПРОВЕРКА ТОЧНОСТИ****Проверка горизонтали**

Для проверки необходимы 2 параллельные вертикальные стены расположенные друг напротив друга на расстоянии 5 м.

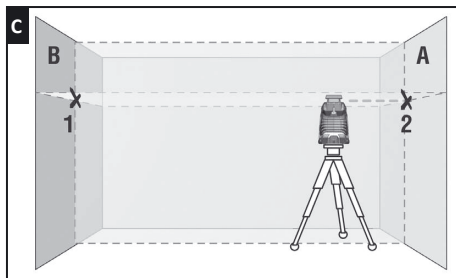
1. Установите прибор максимально близко к стене А (см. рис.А). Включите вертикальный и горизонтальный излучатели, разблокируйте компенсатор. Разверните прибор излучателями так, чтобы пересечение лазерных линий располагалось на ближней стене. Отметьте положение точки пересечения лазерных линий меткой А1.



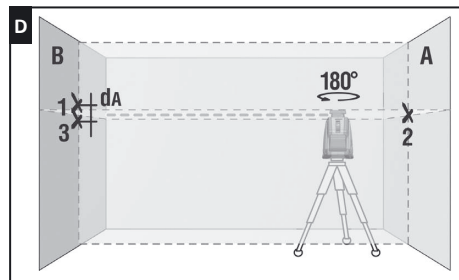
2. Поверните прибор на  $180^\circ$ , отметьте точку пересечения лазерных линий на противоположной стене меткой B2. (см. рис. B).



3. Перенесите прибор к противоположной стене B и установите его так, чтобы точка пересечения лазерных линий точно совпала с ранее отмеченной точкой B2 (см.рис.C).



4. Поверните прибор на  $180^\circ$ , направьте инструмент на стену A так, чтобы вертикальная линия проходила через ранее отмеченную точку A1. Отметьте точку пересечения лазерных линий на стене A меткой A3. (см. рис.D).

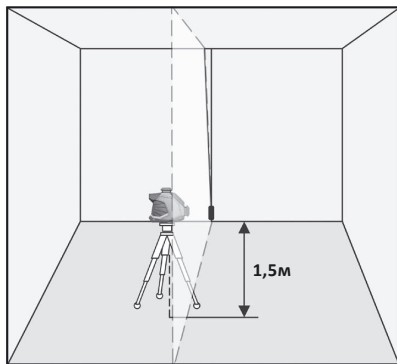


5. Измерьте расстояние  $d$  между метками A1 и A3 (см. рис.D). Если данное расстояние превышает 2 мм – обратитесь в сервисный центр.

**Проверка вертикали**

В качестве эталона вертикали используйте отвес. Установите прибор на расстоянии порядка 1,5 м от отвеса.

1. Разблокируйте компенсатор, включите вертикальный излучатель, совместите ось вертикальной лазерной линии с нижней точкой отвеса.
2. Если отклонение оси вертикальной линии от подвеса превышает 0,2 мм на 1 м длины подвеса (например, для отвеса длиной 2,5 м – максимальное отклонение не должно превышать 0,5 мм) – обратитесь в сервисный центр.
3. Поверните прибор на 180° и совместите ось вертикальной лазерной линии с нижней точкой отвеса еще раз.

**УХОД И ЭКСПЛУАТАЦИЯ**

**Внимание!** Прибор является точным оптико-механическим устройством и требует бережного обращения. Перед началом работ, а также после механических воздействий (падение, удары) проводите проверку точности прибора.

**Соблюдение следующих рекомендаций продлит срок службы прибора:**

- Храните прибор, запасные части и аксессуары к нему вне досягаемости детей и посторонних лиц.
- Перемещайте прибор только с заблокированным компенсатором.
- Оберегайте прибор от ударов, падений, сильных вибраций, не допускайте попадания внутрь прибора влаги, строительной пыли, посторонних предметов.
- В случае попадания в прибор влаги в первую очередь выньте элементы питания, затем обратитесь в сервисный центр.
- Не храните и не используйте прибор в течение длительного времени в условиях повышенной влажности.
- Периодически проверяйте прибор на точность (см. раздел Проверка точности).
- Чистку прибора следует проводить мягкой влажной салфеткой. Не используйте агрессивные химикаты, очищающие растворители или моющие средства.
- Апертуру лазера периодически протирайте мягкой салфеткой без ворса с изопропиловым спиртом.

**Несоблюдение следующих правил может привести к вытеканию электролита из элементов питания и порче прибора:**

- Вынимайте аккумулятор из прибора, если он не используется в течение длительного времени.
- Не оставляйте в приборе разряженный аккумулятор.
- Не нагревайте аккумулятор.

**ГАРАНТИЙНЫЕ ОБЯЗАТЕЛЬСТВА**

Гарантийный период составляет 24 месяца с даты продажи. Срок службы прибора - 36 месяцев.

Гарантия покрывает все расходы по ремонту или замене прибора.

Гарантия не покрывает транспортные расходы, связанные с возвратом прибора в ремонт.

Гарантийные обязательства не распространяются на повреждения ставшие результатом механического или иного воздействия, нарушений правил эксплуатации, самостоятельного ремонта, а также на элементы питания.

Гарантийные обязательства не распространяются на случаи потери точности, возникшие в процессе эксплуатации прибора не по причине заводского брака, а также в случае обрыва подвижных цепей питания компенсатора в результате интенсивной эксплуатации или нарушений правил эксплуатации.

Расходы по настройке прибора оплачиваются отдельно.

**СЕРВИС И КОНСУЛЬТАЦИОННЫЕ УСЛУГИ**

Контакты для связи, консультации можно получить на сайте [www.condtrol.ru](http://www.condtrol.ru)

**УТИЛИЗАЦИЯ**

Отслужившие свой срок инструменты, принадлежности и упаковка должны быть утилизированы согласно действующим законам вашей страны.

Не выбрасывайте аккумуляторы/батареи в коммунальный мусор, не бросайте их в огонь или воду. Аккумуляторы/батареи следует собирать и сдавать на рекуперацию или на экологически чистую утилизацию.

Только для стран-членов ЕС:

Не выбрасывайте инструменты в коммунальный мусор!

Согласно Европейской Директиве 2002/96/ЕС о старых электрических и электронных инструментах и приборах и ее претворению в национальное право, отслужившие свой срок измерительные инструменты должны собираться отдельно и быть переданы на экологически чистую рекуперацию отходов.

Неисправные или пришедшие в негодность аккумуляторы/батареи должны быть утилизированы согласно Директиве 2006/66/ЕС.

Производитель оставляет за собой право вносить изменения в конструкцию, алгоритмы работы, комплектацию прибора без предварительного уведомления.

Gratulujemy zakupu niwelatora laserowego XLiner Pento 360/360G CONDROL. Przed pierwszym użyciem produktu prosimy o dokładne zapoznanie się z zaleceniami bezpieczeństwa znajdującymi się na końcu niniejszej instrukcji.

#### ZALECENIA DOTYCZĄCE BEZPIECZEŃSTWA

**Uwaga!** Niniejsza instrukcja użytkowania stanowi integralną część urządzenia. Prosimy o jej uważne przed rozpoczęciem pracy z produktem. Przekazując urządzenie, należy pamiętać o dołączeniu do niego tej instrukcji.

- Nie należy używać urządzenia do niewłaściwych celów.
- Nie należy usuwać naklejek i etykiet; chronić je przed ścieraniem, ponieważ zawierają one informacje o bezpiecznym użytkowaniu urządzenia.



Promieniowanie laserowe!  
Nie kierować wiązki w oczy  
Laser klasy 2  
<1 MW, 635/515 nm  
IEC 60825-1: 2007-03

- Nie należy patrzeć w wiązkę lasera ani w jej odbicie, zarówno niezabezpieczonym okiem, jak i przez urządzenia optyczne. Nie należy kierować wiązki lasera niepotrzebnie na ludzi lub zwierzęta. Można ich oślepić.
  - Ochrona oczu jest zazwyczaj wykonywana poprzez patrzenie z dala lub zamykanie oczu.
- Urządzenie należy zawsze instalować w taki sposób, aby wiązki lasera przechodziły powyżej lub poniżej poziomu oczu.
- Nie wolno dopuścić do tego, aby osoby nieupoważnione weszły na teren, na którym urządzenie jest używane.
  - Produkt należy przechowywać w miejscu niedostępnym dla dzieci i osób nieupoważnionych.
  - Nie należy demontować ani naprawiać produktu samodzielnie. Konserwację i naprawy powinny być powierzane wyłącznie

wykwalifikowanym specjalistom i przy użyciu oryginalnych części zamiennych.

- Urządzenie nie może być eksploatowane w środowisku wybuchowym, w pobliżu materiałów łatwopalnych.
- Okulary do pracy z laserem służą do lepszego rozpoznawania wiązek lasera, nie należy ich używać do innych celów. Okulary do pracy z laserem nie chronią przed promieniowaniem laserowym, nie są przeznaczone do ochrony przed promieniowaniem ultrafioletowym i osłabiają percepcję kolorów.
- Nie należy dopuszczać do nagrzewania się baterii, aby uniknąć ryzyka wybuchu i rozlania elektrolitu. Jeśli na skórę dostanie się płyn, należy natychmiast przepłukać skażone miejsce wodą i mydłem. W przypadku kontaktu z oczami przepłukać je czystą wodą przez 10 minut, a następnie zgłosić się do lekarza.

#### OPIS URZĄDZENIA

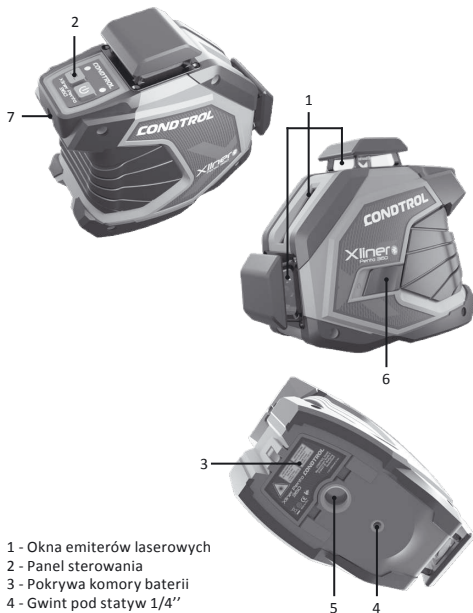
Wieloprzyrządnicze niwelatory laserowe XLiner Pento 360/360G CONDROL przeznaczone są do tworzenia i kontroli płaszczyzn. linii pionowych i poziomych oraz punktów pionowych (zenit i nadir). Urządzenie nadaje się do stosowania zarówno na placach budowy wewnętrznych, jak i zewnętrznych.

Narzędzie ma 2 tryby pracy:

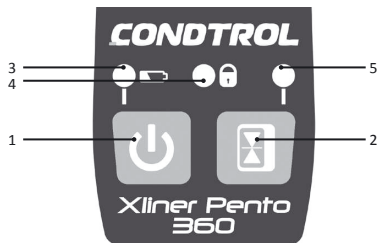
- z automatyczną kompensacją nachylenia do  $\pm 3.5^\circ$
- z zablokowanym kompensatorem, do tworzenia płaszczyzn i linii pod dowolnym kątem

Tryb impulsowy pozwala na wykorzystanie detektora do zwiększenia zasięgu działania, jak również do pracy w dobrych warunkach oświetleniowych, gdy wiązka lasera jest słabo widoczna.





## Panel sterowania



- 1 - Włączanie/wyłączanie narzędzia:  
 - emiterów laserowych.  
 2 - Włączanie/wyłączanie trybu impulsowego  
 3 - Wskaźnik zasilania  
 4 - Wskaźnik blokady kompensatora  
 5 - Wskaźnik trybu impulsowego

## WYPOSAŻENIE

- Niwelator laserowy – 1 szt.  
 Akumulator (7.4B 2600 mAh litowo-jonowy) – 2 szt.  
 Ładowarka – 1 szt.  
 Instrukcja użytkowania – 1 szt.  
 Torba – 1 szt.

## PARAMETRY TECHNICZNE

|   | XLiner Pento 360            | XLiner Pento 360G         |
|---|-----------------------------|---------------------------|
| Zakres roboczy/ z detektorem            | 40/100 m*                   | 60/100 m*                 |
| Dokładność samoczynnego poziomowania    | ±0,2 mm/m                   |                           |
| Zakres samoczynnego poziomowania        | ± 3,5°                      |                           |
| Czas trwania pracy                      | >18 godzin                  | >8 godzin                 |
| Temperatura robocza                     | -10°C ... +50°C             |                           |
| Temperatura przechowywania              | -20°C ... +70°C             |                           |
| Wilgotność względna powietrza           | 90%                         |                           |
| Stopień ochrony przed wilgocią i kurzem | IP54                        |                           |
| Rodzaj gwintu do montażu na statywie    | 1/4" i 5/8"                 |                           |
| Typ lasera                              | Klasa II 635 nm<br>< 1 MW   | Klasa II 515 nm<br>< 1 MW |
| Źródło zasilania                        | 7.4B 2600 mAh litowo-jonowy |                           |
| Wymiary gabarytowe                      | 155x85x132 mm               |                           |
| Ciężar:<br>bez baterii<br>z baterią     | 0,63 kg<br>0,73 kg          |                           |

\* Zakres roboczy może różnić się od podanego w zależności od warunków oświetlenia.

## PRZED ROZPOCZĘCIEM PRACY Z NARZĘDZIEM

## Zasilanie narzędzia

Urządzenie jest zasilane przez akumulator litowo-jonowy 7,4 V 2600 mAh wchodzący w zakres dostawy.

## Instalacja/ładowanie akumulatora litowo-jonowego

Włożyć baterię do komory baterii, zwracając uwagę na biegunowość. Używać tylko akumulatora dostarczonej wraz z baterią. Jeśli wskaźnik zasilania na panelu sterowania miga na czerwono, należy naładować akumulator.

Ładowanie akumulatora odbywa się w następujący sposób:

- 1) Wyjąć akumulator z narzędzia.
- 2) Podłączyć akumulator do źródła zasilania za pomocą dołączonej ładowarki. Podczas ładowania wskaźnik zasilania na panelu sterowania zmieni kolor na czerwony.
- 3) Czas ładowania akumulatora wynosi około 3 godzin.
- 4) Gdy wskaźnik zasilania na panelu sterowania będzie miał kolor zielony, należy odłączyć ładowarkę i umieścić akumulator w komorze baterii.

## PRACA Z NARZĘDZIEM

Zamontuj instrument na solidnej, stabilnej powierzchni lub statywie. Wybrać tryb pracy za pomocą suwaka blokady:

## 1) Tryb automatycznej kompensacji

Przesunąć suwak blokady do pozycji **ON**. Urządzenie włączy się automatycznie.


Krótkim naciśnięciem klawisza  włączyć niezbędne dla pracy emitory laserowe.


Krótkim naciśnięciem klawisza  włączyć/wyłączyć tryb pracy z nadajnikiem.

Aby włączyć narzędzie należy przesunąć suwak blokady w położenie **OFF**.


## 2) Tryb tworzenia płaszczyzn pochyłych


Przesunąć suwak blokady w położenie OFF.

Włączyć narzędzie długim naciśnięciem klawisza  w ciągu 2 sekund.

Poprzez długie, następujące po sobie naciśnięcia klawisza  w ciągu 2 sekund włączyć niezbędne dla pracy emitory laserowe.

Włączone emitory laserowe będą migać co 5 sekund.

Po aktywacji wszystkich możliwych kombinacji linii laserowych długie naciśnięcie klawisza  włączy urządzenie.

Włączyć/wyłączyć tryb pracy z nadajnikiem za pomocą długiego naciśnięcia klawisza  przez 2 sekundy.

**Uwaga!** Aby wydłużyć czas pracy, a także zmniejszyć ryzyko niezamierzonego oślepienia, należy wybrać minimalną wymaganą liczbę włączonych modułów laserowych.

Podczas pracy w pobliżu przedmiotów lub strumieni powietrza, które różnią się temperaturą od otoczenia z powodu niejednorodnej atmosfery, linia laserowa może się trząść. Gdy odległość się zwiększa, efekt się wzmacnia.

Wraz ze wzrostem odległości zwiększa się szerokość linii laserowej. Oznaczenia powinny być wykonywane wzdłuż osi linii laserowej. Aby uzyskać maksymalną dokładność, należy użyć środkowej części linii laserowej.

Należy pamiętać, że kształt linii laserowych na powierzchni obiektu (np. ścian, podłóg, itp.) zależy od krzywizny i nachylenia powierzchni w stosunku do płaszczyzny lasera.

## Bluetooth

Bluetooth jest zawsze domyślnie włączony. Włącz urządzenie. Aktywuj Bluetooth w swoim urządzeniu i uruchom aplikację XLiner Remote. Skonfiguruj połączenie Bluetooth.

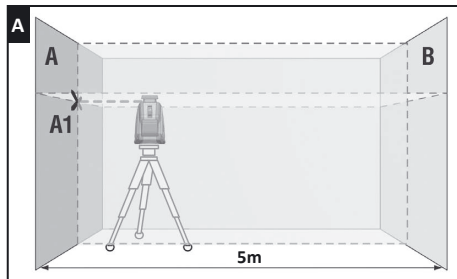
Aplikacja umożliwia, bez dotykania urządzenia, włączanie i wyłączenie wiązek laserowych i punktów pionowych, tryb pracy z odbiornikiem, regulację jasności lasera dla optymalnej widoczności i oszczędności energii, a także kontrolę poziomu naładowania elementów zasilania.

## KONTROLA DOKŁADNOŚCI

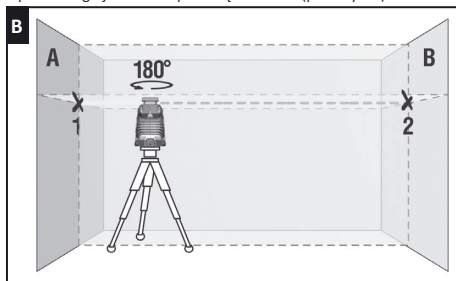
### Sprawdzanie poziomu

W celu kontroli potrzebne są 2 równoległe pionowe ściany położone naprzeciw siebie w odległości 5 m.

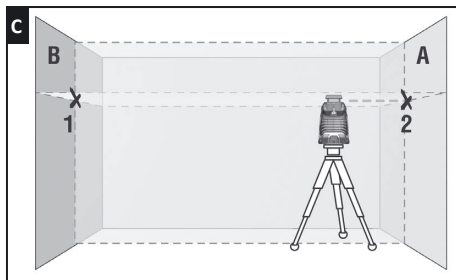
1. Ustawić urządzenie jak najbliżej jednej ze ścian (patrz rys. A). Włączyć emitory pionowe i poziome i odblokować kompensator. Obrócić urządzenie w kierunku ściany, tak aby linie lasera na ścianie przecinały się naprzeciwko urządzenia. Zaznaczyć położenie punktu przecięcia linii laserowych na znaku A1. Na drugiej ścianie, naprzeciwko urządzenia, zaznaczyć punkt B1.



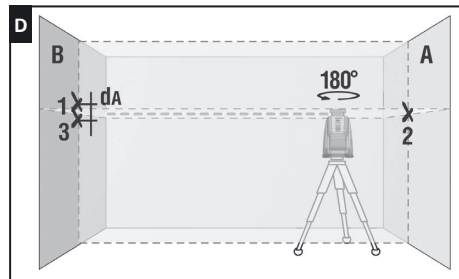
2. Obróć urządzenie o 180°, zaznacz punkt przecięcia linii laserowych na przeciwległej ścianie za pomocą znaku B2. (patrz rys. B).



3. Przenieść urządzenie na przeciwległą ścianę, zaznaczyć przecięcie linii laserowych znakiem B2 (znaki B1, B2 powinny znajdować się na tym samym pionie) (patrz Rys.C).



4. Obrócić instrument o 180°, skierować instrument na ścianę A tak, aby linia pionowa przechodziła przez wcześniej zaznaczony punkt. A1. Zaznaczyć punkt przecięcia linii laserowych na ścianie A za pomocą znaku A3. (patrz rys. D).

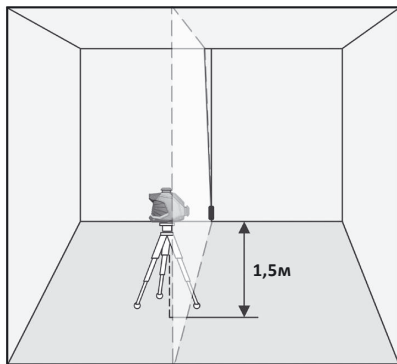


5. Zmierz odległość między znakami A1 i A3 (patrz rys. D). Jeśli ta odległość przekracza 2 mm – skontaktować się z centrum serwisowym.

**Sprawdzanie pionu**

W charakterze pionowego wzorca należy użyć pionu. Ustawić urządzenie na odległość około 1,5 m od pionu.

1. Odblokować kompensator, włączyć emitor pionowy, połączyć oś pionowej linii laserowej z dolnym punktem pionu
2. Jeżeli odchylenie osi pionowej od zawieszenia przekracza 0,3 mm na 1 m długości zawieszenia (np. dla pionu o długości 2,5 m - maksymalne odchylenie nie powinno wynosić 0,7 mm) – skontaktować się z centrum serwisowym.
3. Obrócić urządzenie o 180° i ponownie ustawić pionową oś linii laserowej z dolnym punktem pionu.

**KONSERWACJA I EKSPLOATACJA**

**Uwaga!** Urządzenie jest precyzyjnym urządzeniem optyczno-mechanicznym i wymaga starannej obsługi. Przed rozpoczęciem pracy, jak również po oddziaływaniach mechanicznych (upadki, uderzenia) należy sprawdzić dokładność urządzenia.

**Przestrzeżenie poniższych zaleceń wydłuży żywotność urządzenia:**

- Produkt, części zamienne i akcesoria należy przechowywać w miejscu niedostępnym dla dzieci i osób nieupoważnionych.
- Przesuwać instrument tylko z zablokowanym kompensatorem.
- Chronić urządzenie przed wstrząsami, upadkami, silnymi wibracjami, wilgocią, pyłem budowlanym i ciałami obcymi.
- W przypadku dostania się wilgoci do urządzenia, należy najpierw wyjąć baterie, a następnie skontaktować się z centrum serwisowym.
- Nie należy przechowywać ani używać urządzenia przez dłuższy czas w wilgotnych warunkach.
- Okresowo sprawdzać urządzenie pod względem dokładności (patrz rozdział Kontrola dokładności).
- Urządzenie należy czyścić miękką, wilgotną ściereczką. Nie należy używać agresywnych chemikaliów, rozpuszczalników czyszczących ani detergentów.
- Przystaloną lasera należy okresowo przecierać miękką, niestrzępiącą się ściereczką zawierającą alkohol izopropylowy.

**Nieprzestrzeżenie następujących zasad może spowodować wyciek elektrolitu z baterii i uszkodzenie urządzenia:**

- Wyjmować baterie z urządzenia, jeśli nie było ono używane przez dłuższy czas.
- Nie należy pozostawiać rozładowanych baterii w urządzeniu.
- Nie należy podgrzewać akumulatora.

**UTYLIZACJA**

Przetworzone narzędzia, akcesoria i opakowanie powinny być przekazane do recyklingu odpadów. Prosimy o przestanie urządzenia na następujący adres w celu dokonania właściwego recyklingu:

CONDROL GmbH  
Wasserburger Strasse 9  
84427 Sankt Wolfgang  
Germany



Nie wyrzucać urządzenia do odpadów komunalnych !

Zgodnie z dyrektywą europejską 2002/96/WE, zużyte narzędzia pomiarowe i ich części składowe muszą być zbierane oddzielnie i poddawane przyjaznemu dla środowiska recyklingowi odpadów.

**GWARANCJA**

Wszystkie urządzenia firmy CONDROL GmbH poddawane są kontroli poprodukcyjnej i podlegają następującym warunkom gwarancji. Prawo kupującego do roszczeń z tytułu wad oraz ogólne przepisy obowiązującego prawa nie wygasają.

- CONDROL GmbH zobowiązuje się do usunięcia wszystkich wad urządzeń, ujawnionych w okresie gwarancyjnym, które stanowią wadę materiałową lub wykonawczą w pełnej objętości i na własny koszt.
- Okres gwarancji wynosi 24 miesięcy i zaczyna bieg od daty zakupu przez klienta końcowego (patrz oryginalny dokument towarzyszący).
- Gwarancja nie obejmuje uszkodzeń powstałych w wyniku zużycia lub nieprawidłowego użytkowania, wadliwego działania urządzenia spowodowanego nieprzestrzeganiem instrukcji obsługi, nieterminowej konserwacji i serwisu oraz niewystarczającej dbałości, użycia nieoryginalnych akcesoriów i części zamiennych. Zmiany w tworzeniu urządzenia zwalniają sprzedawcę z odpowiedzialności za prace gwarancyjne. Gwarancja nie obejmuje uszkodzeń kosmetycznych, które nie utrudniają normalnej pracy urządzenia.

- CONDROL GmbH zastrzega sobie prawo do podjęcia decyzji o wymianie lub naprawie urządzenia.
- Inne roszczenia, nie wymienione powyżej, nie są objęte gwarancją.
- Po wykonaniu prac gwarancyjnych przez CONDROL GmbH okres gwarancji nie jest odnawiany ani przedłużany.
- CONDROL GmbH nie ponosi odpowiedzialności za utratę zysku lub niedogodności związane z wadą urządzenia, kosztami wypożyczenia sprzętu alternatywnego na okres naprawy.

Niniejsza gwarancja ma zastosowanie do prawa niemieckiego z wyjątkiem postanowień Konwencji Narodów Zjednoczonych o umowach międzynarodowej sprzedaży towarów (CISG).

W przypadku gwarancji prosimy o odesłanie urządzenia do sprzedawcy detalicznego lub przesłanie go z opisem wady na adres:

CONDROL GmbH  
Wasserburger Strasse 9  
84427 Sankt Wolfgang  
Germany

www.condtrol.com

# CONDROL

LASER DISTANCE METERS / LASER-ENTFERNUNGSMESSE  
ЛАЗЕРНЫЕ ДАЛЬНОМЕРЫ / DALMIERZE LASEROWE



SMART 60



Vector 60/80



Vector 100



XP3 Pro



XP4 Pro

LASER LEVELS / KREUZLINIENLASER  
ЛАЗЕРНЫЕ НИВЕЛИРЫ / LASERY KRZYŻOWE



NEO X200/X220



NEO G200



NEO X1-360



NEO X2-360



NEO G1-360



XLiner Duo/Combo 360



XLiner 360 G



OmiInler 3D



OmiInler G3D